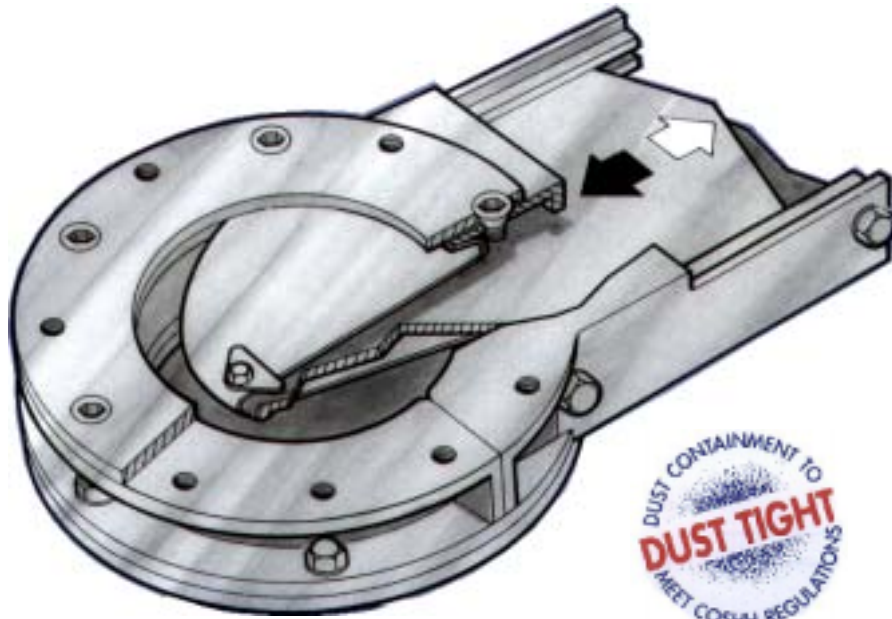
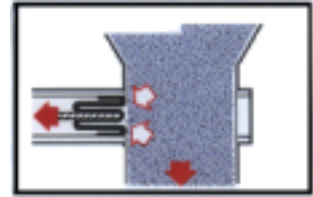


DUST FREE MEMBRANE SLIDE VALVE

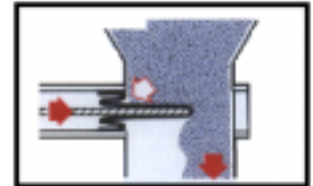
Valves for dust containment



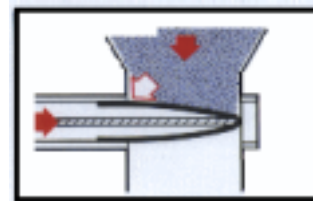
Dust Tight in Operation



Regulated Control



Positive Shut-Off



APPLICATIONS Powders, granules, pastes, slurries - silos and hoppers, process plant, ducts, chutes, bins, weighing and control systems.

TECHNICAL SPECIFICATIONS. The standard Valve is manufactured with a CAST ALUMINIUM ALLOY body and contact parts with a selection of MEMBRANE/SEALS to suit the application.

Alternatively, the contact parts only or the whole unit can be coated for greater chemical resistance i.e., Epoxy Coating or Fabricated in Carbon Steel and various grades of Stainless Steel

FOR TYPE OF VALVE AND DIMENSIONAL DETAILS SEE OVER PAGE.

OPTION EXTRAS - These are offered but not detailed on this leaflet are as follows:-

LIMIT SWITCHES - Reed, Proximity, Electro Mechanical, to determine valve open/closed state. Factory fitted.

SOLENOID VALVES - Factory fitted and piped on automatic valves.

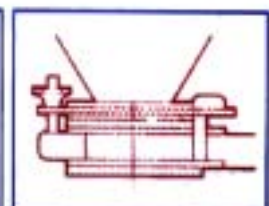
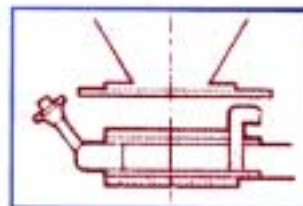
FAIL SAFE ASSEMBLIES - In event of air failure can be arranged to fail valve 'OPEN' or 'CLOSED' as required.

BACKING FLANGES/SPIGOTTED FLANGES - To fasten flexible connections to the valve inlet/outlet. Note: we also offer a full range of flexible connections manufactured to suit your needs.

COPYRIGHT COVERED BY CURENT BRITISH AND FOREIGN PATENTS

QUICK RELEASE ASSEMBLIES

Save time and money in fitting and removing of Valve for inspection, cleaning and maintenance.



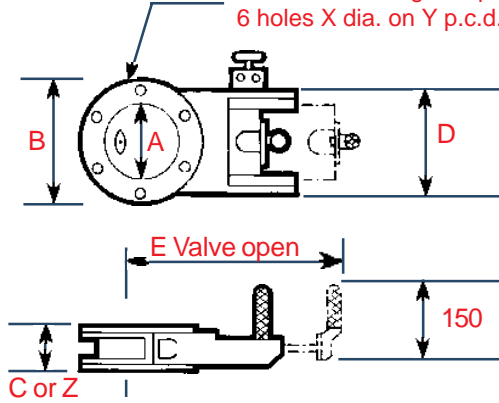
Process Link Ltd,
Tilemans Lane,
Shipston-on-Stour,
Warwickshire, CV36 4QZ,
ENGLAND

Telephone: (01608) 662878
Facsimile: (01608) 662968
Email: info@processlink.co.uk
Web site: www.processlink.co.uk



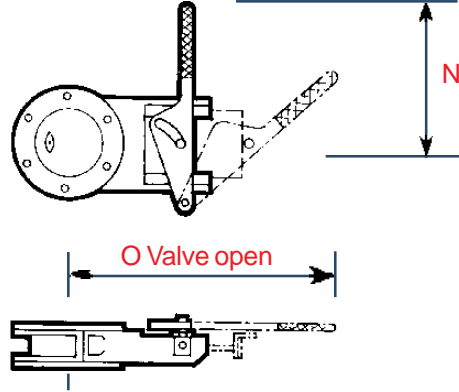
Isolation valves

Hand Grip (HG) Customer's flange requires 6 holes X dia. on Y p.c.d.

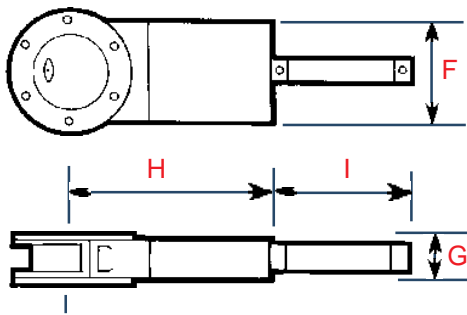


Control valves

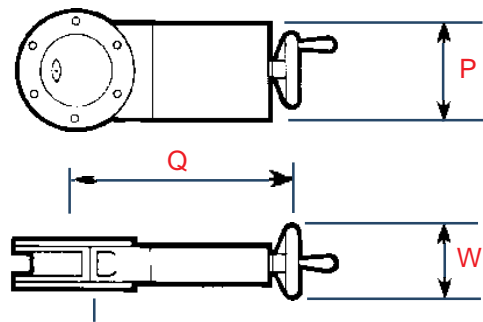
Hand Lever (HL)



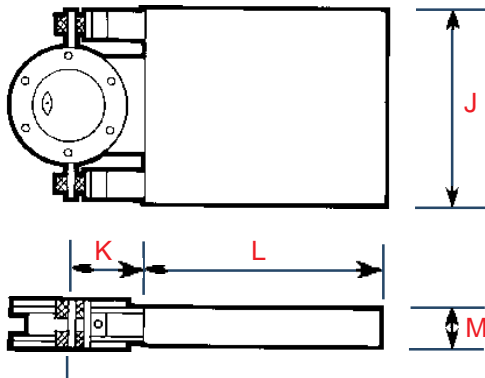
Automatic Single Cylinder (AS)



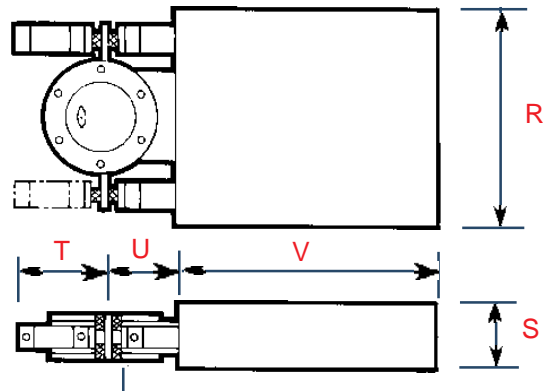
Hand Wheel (HW)



Automatic Twin Cylinder (AD)



Multi-Position (MP)



Dimensions A, B, C, X, Y, Z as shown on Hand Grip valve applies to all valve types. For aluminium valves read dimension 'C'. For stainless steel valves read dimension X.

Dim / Valve	2"	3"	4"	6"	8"	10"	12"	14"	16"	18"
A	51	76	102	152	203	254	305	355	406	457
B	125	150	202	254	305	355	406	504	559	610
C	N/A	N/A	90	90	110	105	105	128	128	128
D	67	92	150	200	251	302	351	410	462	512
E	175	217	290	390	505	603	703	915	1040	1168
F	67	92	156	208	258	306	356	410	462	512
G	35	35	72	72	95	95	95	102	102	102
H	215	258	333	435	543	647	747	820	920	1020
I	159	184	209	259	309	359	409	459	509	559
F	N/A	N/A	325	390	440	490	610	714	764	814
K	N/A	N/A	102	133	157	200	234	330	380	430
L	N/A	N/A	426	490	566	655	680	890	915	940
M	N/A	N/A	70	70	90	90	90	105	105	105

Dim / Valve	2"	3"	4"	6"	8"	10"	12"	14"	16"	18"
N	N/A	N/A	275	300	330	355	380	N/A	N/A	N/A
O	N/A	N/A	500	625	750	860	960	N/A	N/A	N/A
P	67	92	156	208	258	306	356	420	473	520
Q	265	308	391	493	607	704	805	906	1006	1106
R	N/A	N/A	400	450	500	550	600	N/A	N/A	N/A
S	N/A	N/A	145	145	155	155	155	N/A	N/A	N/A
T	N/A	N/A	220	220	220	220	220	270	270	270
U	N/A	N/A	124	152	176	219	252	N/A	N/A	N/A
V	N/A	N/A	500	550	600	700	800	N/A	N/A	N/A
W	50	50	157	157	157	157	157	288	288	288
X	9	9	11	11	11	11	11	13	13	13
Y	100	125	172	222	272	322	372	457	508	559
Z	63	63	84	84	100	100	100	120	120	120